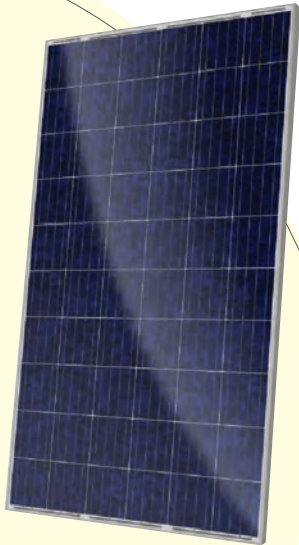


SoliTek is a leading European manufacturer and supplier of PV cells and modules with headquarters and production plant in Vilnius, Lithuania.

The company combines the most sophisticated technologies and 20 years of manufacturing experience.



### WORKING CONDITIONS

Maximum system voltage	DC 1000 V (TUV)
Operating temperature	-40°C / +85°C
Maximum reverse current	15 A
Maximum wind /snow load	1600/3600Pa**
IP protection level	67
Safety class	II

\*\*Safety factor - 1,5

### TEMPERATURE COEFFICIENTS

Voltage temperature coefficient (β)	-0,33 %/°C
Current temperature coefficient (α)	+0,067 %/°C
Power temperature coefficient (δ)	-0,41 %/°C
Nominal operating module temperature (NOMT)	45±2°C

### ELECTRICAL PARAMETERS

Parameter		Unit	Value
Maximum power*	Pmax	W	280
Maximum power point voltage	Vmpp	V	31,33
Maximum power current	Impp	A	8,94
Open circuit voltage	Voc	V	38,33
Short circuit current	Isc	A	9,4
Efficiency	η	%	16,73

\*Under Standard Test Conditions (STC) of irradiance of 1000W/sq. m., spectrum AM 1.5 and cell temperature of 25 C

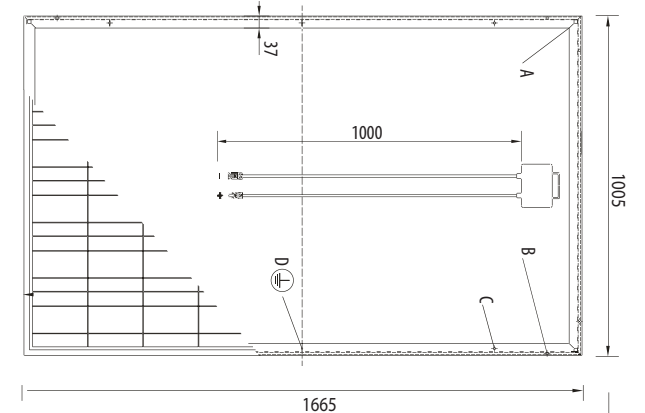
### MECHANICAL PARAMETERS

Cell size	158,75x158,75
Number of cells	60 (6x10)
Front side glass	3,15
Weight	20 kg
Dimensions (L x W x H)	1665x1005x35
J-box	IP67, ventilated
Cable length	1 m
Cable cross section size	4 mm <sup>2</sup>
Number of diodes	3
Plug-in connection	MC4
Frame	Anodised Aluminium frame
Packing configuration	30 pcs./pallet

20 years



80% max output



A: Drainage; B: Ventilation; C: Mounting holes; D: Earthing;

The module is manufactured by SoliTek cells, UAB.



PID free

Certificates and memberships

