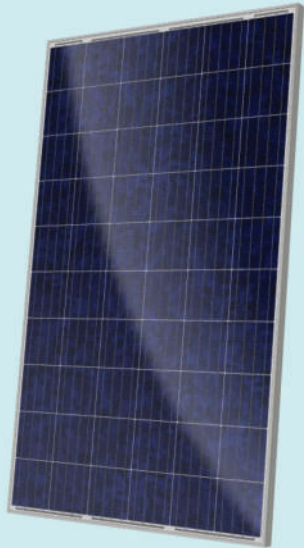


### Standard polycrystalline 60 cell module

Solitek is a leading European manufacturer and supplier of PV cells and modules with headquarters and production plant in Vilnius, Lithuania.

The company combines the most sophisticated technologies and 20 years of manufacturing experience.



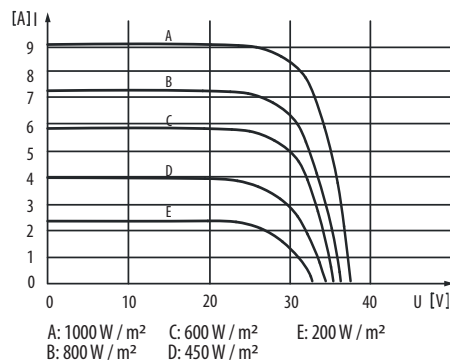
#### WORKING CONDITIONS

Maximum system voltage	DC 1000 V (TUV)
Operating temperature	-40°C / +85°C
Maximum reverse current	15 A
Maximum wind /snow load	2400/5400 Pa
IP protection level	67
Safety class	II

#### TEMPERATURE COEFFICIENTS

Voltage temperature coefficient ( $\beta$ )	-0,33 %/°C
Current temperature coefficient ( $\alpha$ )	+0,067 %/°C
Power temperature coefficient ( $\delta$ )	-0,41 %/°C
Nominal operating module temperature (NOMT)	45±2°C

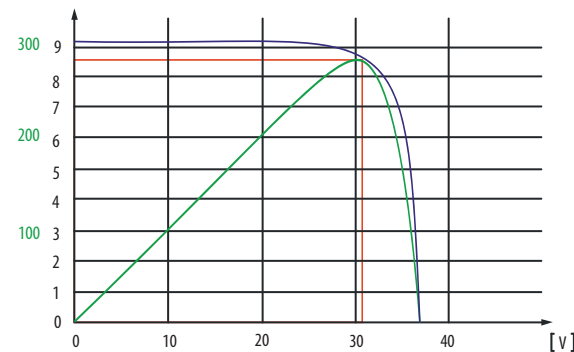
#### I-V CURVE



#### ELECTRICAL PARAMETERS

Parameter		Unit	Value		
Maximum power*	P <sub>max</sub>	W	280	275	270
Maximum power point voltage	V <sub>mpp</sub>	V	31,33	31,23	31,13
Maximum power current	I <sub>mp</sub>	A	8,94	8,81	8,68
Open circuit voltage	V <sub>oc</sub>	V	38,33	38,13	37,93
Short circuit current	I <sub>sc</sub>	A	9,4	9,26	9,14
Efficiency	$\eta$	%	17,1	16,80	16,50

\*Under Standard Test Conditions (STC) of irradiance of 1000W/sq. m., spectrum AM 1.5 and cell temperature of 25 C



20 years



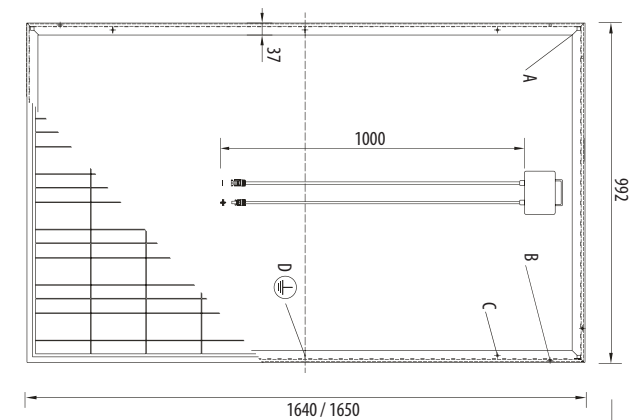
80% max output



#### MECHANICAL PARAMETERS

Cell size	156x156 mm
Number of cells	60 (6x10)
Front side glass	3,2 mm hardened solar glass
Weight	19 kg
Dimensions (L x W x H)	1640/1650 x 992 x 35 mm**
J-box	IP67, ventilated
Cable length	1 m
Cable cross section size	4 mm <sup>2</sup>
Number of diodes	3
Plug-in connection	MC4
Frame	Anodised Al frame
Packing configuration	30 pcs./pallet

\*\*Please double check with sales managers which size is delivered to You;



A: Drainage; B: Ventilation; C: Mounting holes; D: Earthing;

The module is manufactured by Soli Tek cells, UAB.



Certificates and memberships



Soli Tek cells Mokslininku str. 6A, Vilnius 08412, Lithuania

Tel. +370 5 263 8774 Fax: +370 5 263 8776 info@solitek.eu www.solitek.eu