

Standart polycrystalline 60 cell module

Solitek is a leading European manufacturer and supplier of PV cells and modules with headquarters and production plant in Vilnius, Lithuania. The company combines the most sophisticated technologies and 18 years of manufacturing experience.

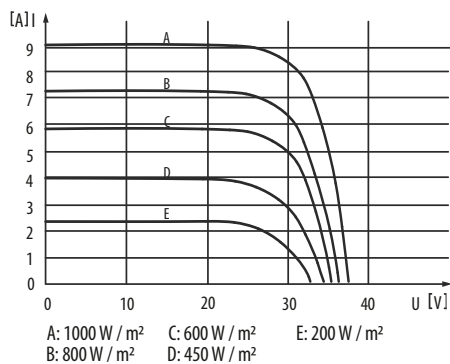
WORKING CONDITIONS

Maximum System Voltage	DC 1000V (TUV)
Operating temperature	-40°C / +85°C
Maximum reverse current	15 A
Max. wind load/max. snow load	2400 Pa / 5400 Pa
IP protection level	67
Safety class	II

TEMPERATURE COEFFICIENTS

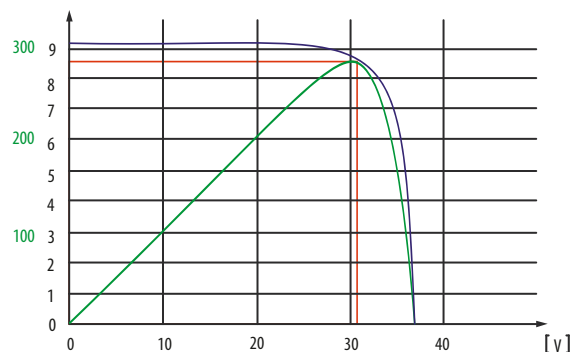
Voltage temperature coefficient (β)	-0.37 %/K
Current temperature coefficient (α)	+0.06 %/K
Power temperature coefficient (δ)	-0.47 %/K

I-V CURVE



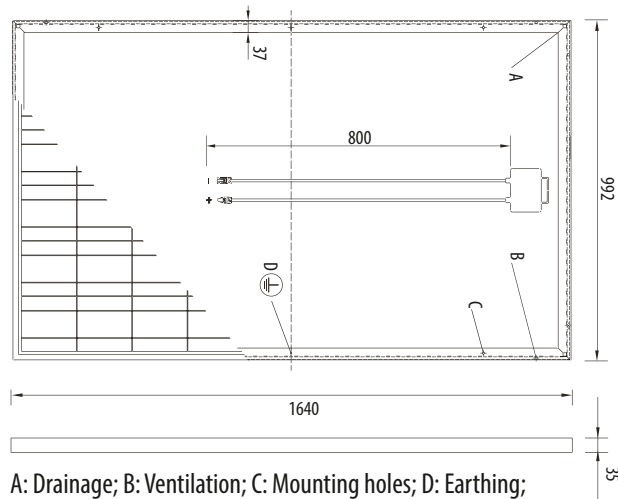
ELECTRICAL PARAMETERS

Maximum Power* (P_{MPP})	270 Wp
Rated Voltage (V_{MPP})	31.28V
Rated Current (I_{MPP})	8.63A
Open Circuit Voltage (V_{OC})	38.80V
Short Circuit Current (I_{SC})	9.17A
Power Tolerance	0 +5W
NOCT	48.3°C
Module Efficiency	16.60%



MECHANICAL PARAMETERS

Cell size	156x156 mm
Number of cells	6x10, three strings in a row
Front side glass	3,2 mm hardened solar glass
Weight	19 kg
Dimensions (L x W x H)	1640 x 992 x 35 mm
J-box	Plastic, IP67, ventilated
Cable length	0,8-1,1 m
Cable cross section size	4 mm ²
Number of diodes	3
Plug-in connection	MC4
Frame	Anodised Al frame
Packing configuration	30 pcs./pallet



The module is manufactured by Soli Tek cells, UAB.



20 years



80% max output



UNDER CERTIFICATION



IEC 61215
IEC 61730

